

INSTALLATION INSTRUCTION - The "Frankfort"

POCKET DOOR TRACK HARDWARE FOR GLASS DOORS

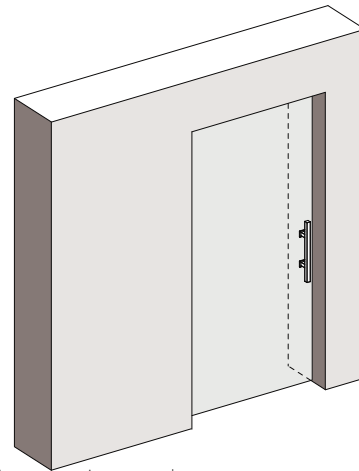
article number 0160224



DOOR HARDWARE

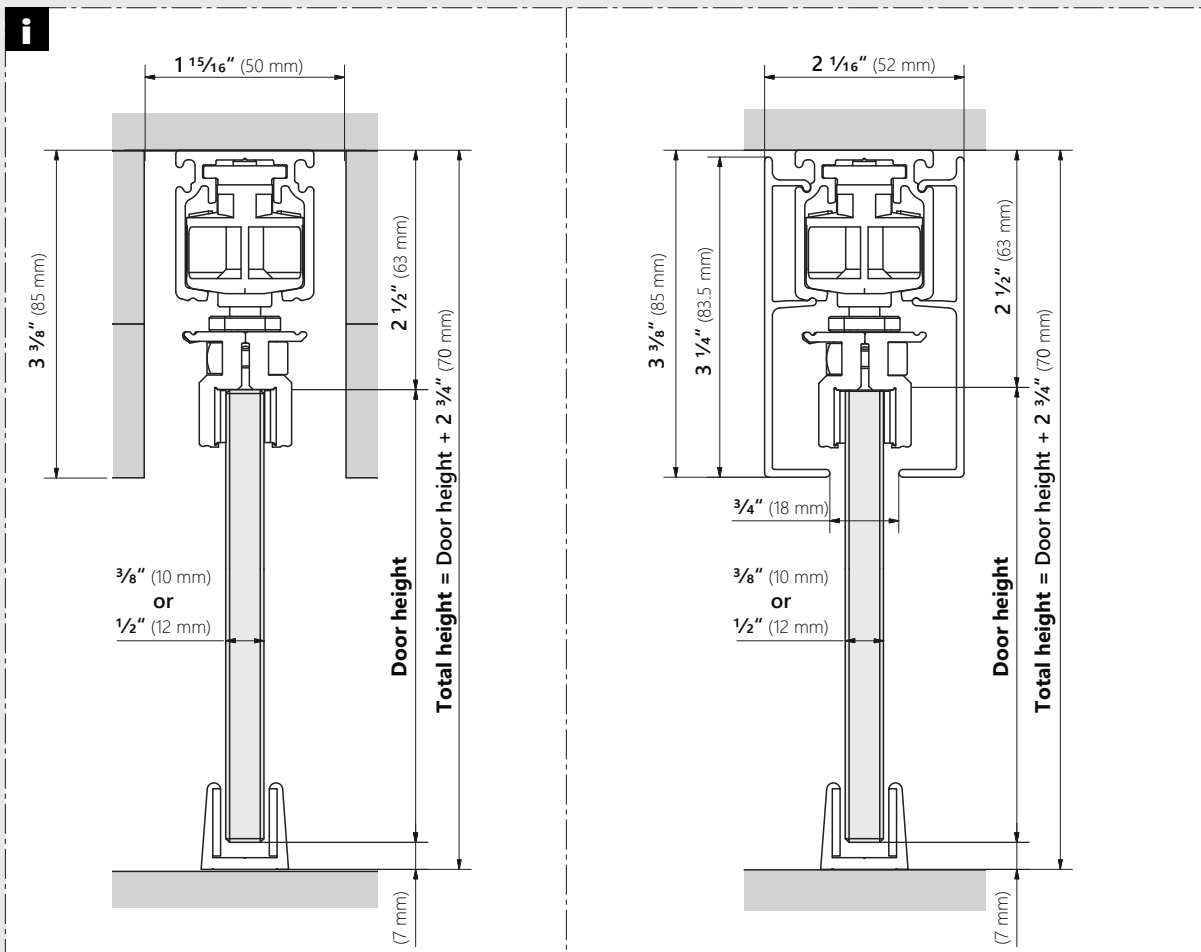
www.StainlessDoorHardware.com

855.247.1168



Sliding door hardware
for frameless glass doors
up to 176 lb (80 kg)*

* The maximum door weight can be increased to 265 lb (120 kg) with upgraded wheels if no limiting accessories are used.



INSTALLATION INSTRUCTION - The "Frankfort"

POCKET DOOR TRACK HARDWARE FOR GLASS DOORS

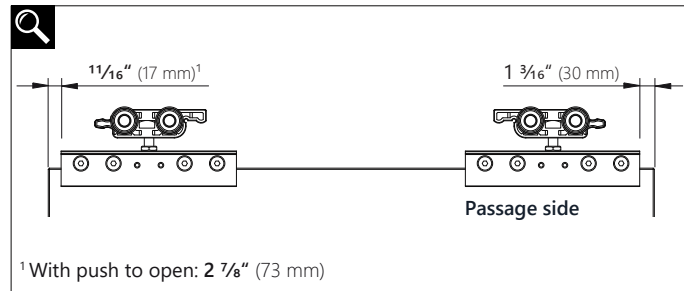
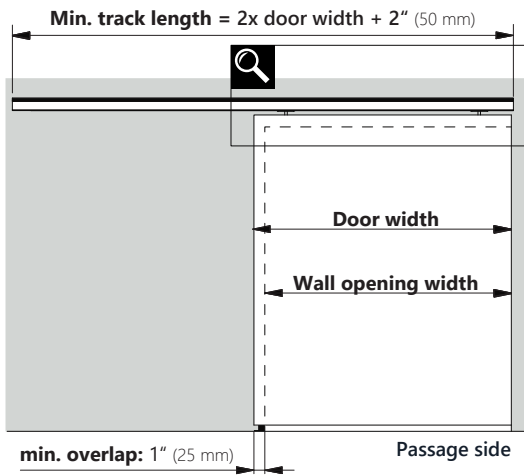
article number 0160224


STAINLESS

DOOR HARDWARE
www.StainlessDoorHardware.com

855.247.1168

i

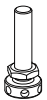


When installing a wood door, double door or the glass-clamb-valance, please follow the instructions provided separately.

i Content

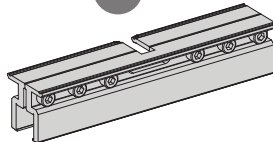
2x

a



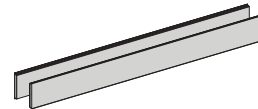
2x

b



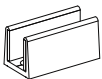
2x

c



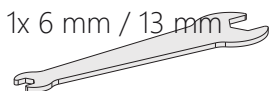
1x

d



1x

e

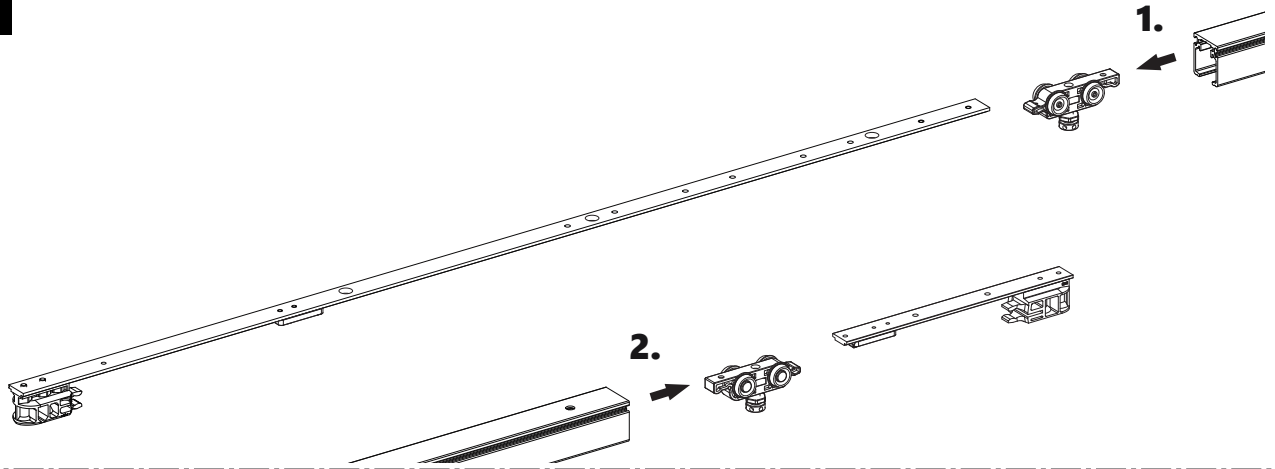


INSTALLATION INSTRUCTION - The "Frankfort"

POCKET DOOR TRACK HARDWARE FOR GLASS DOORS

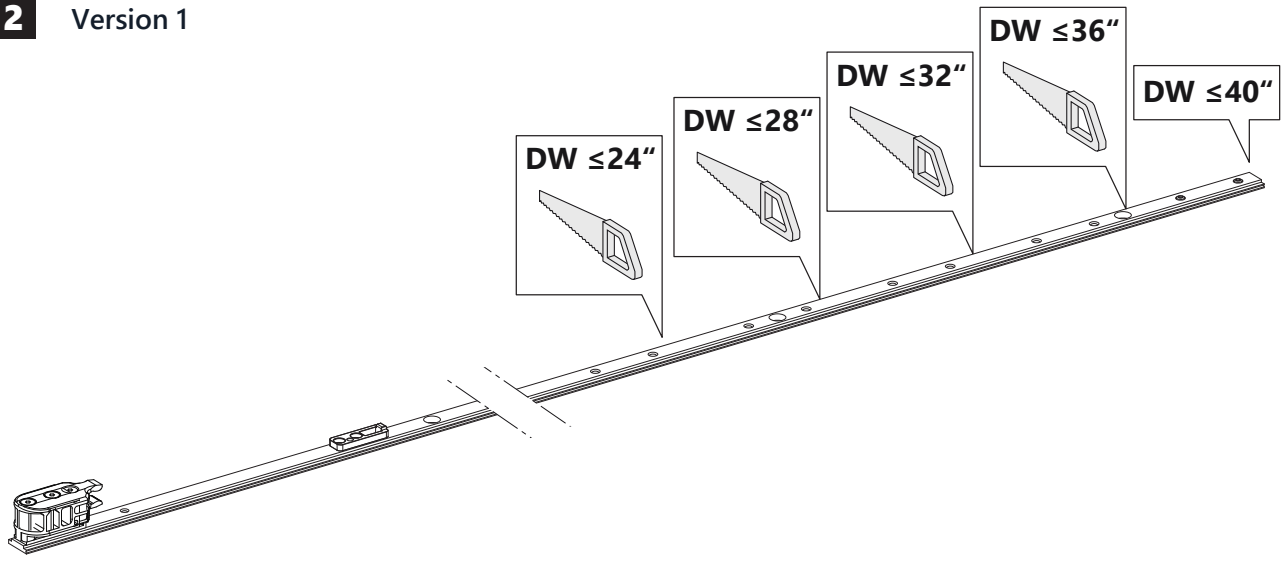
article number 0160224

1

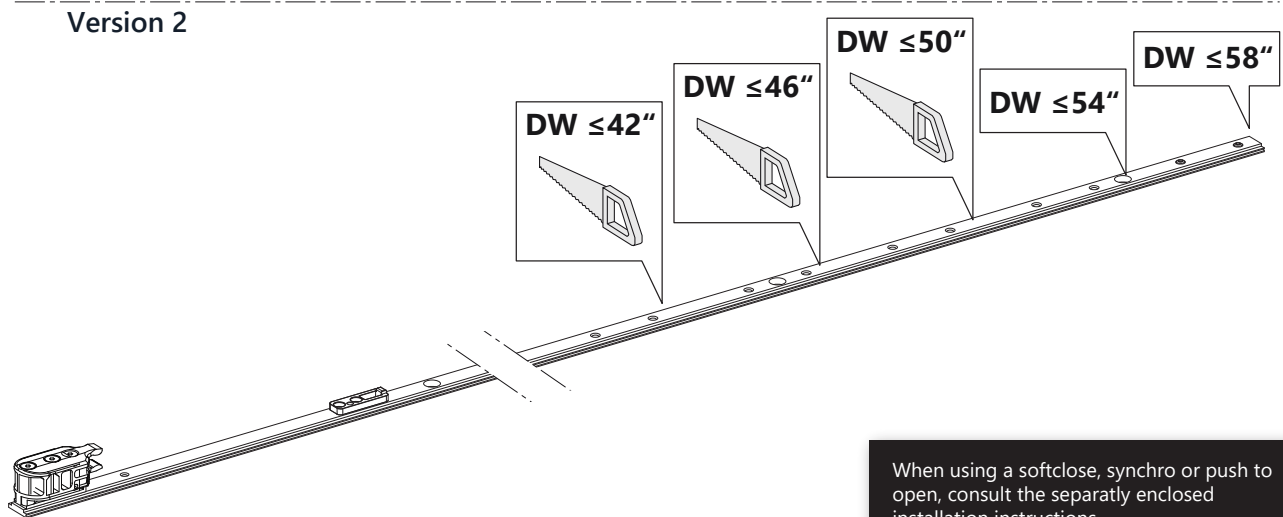


2

Version 1



Version 2



When using a softclose, synchro or push to open, consult the separately enclosed installation instructions.

INSTALLATION INSTRUCTION - The "Frankfort"

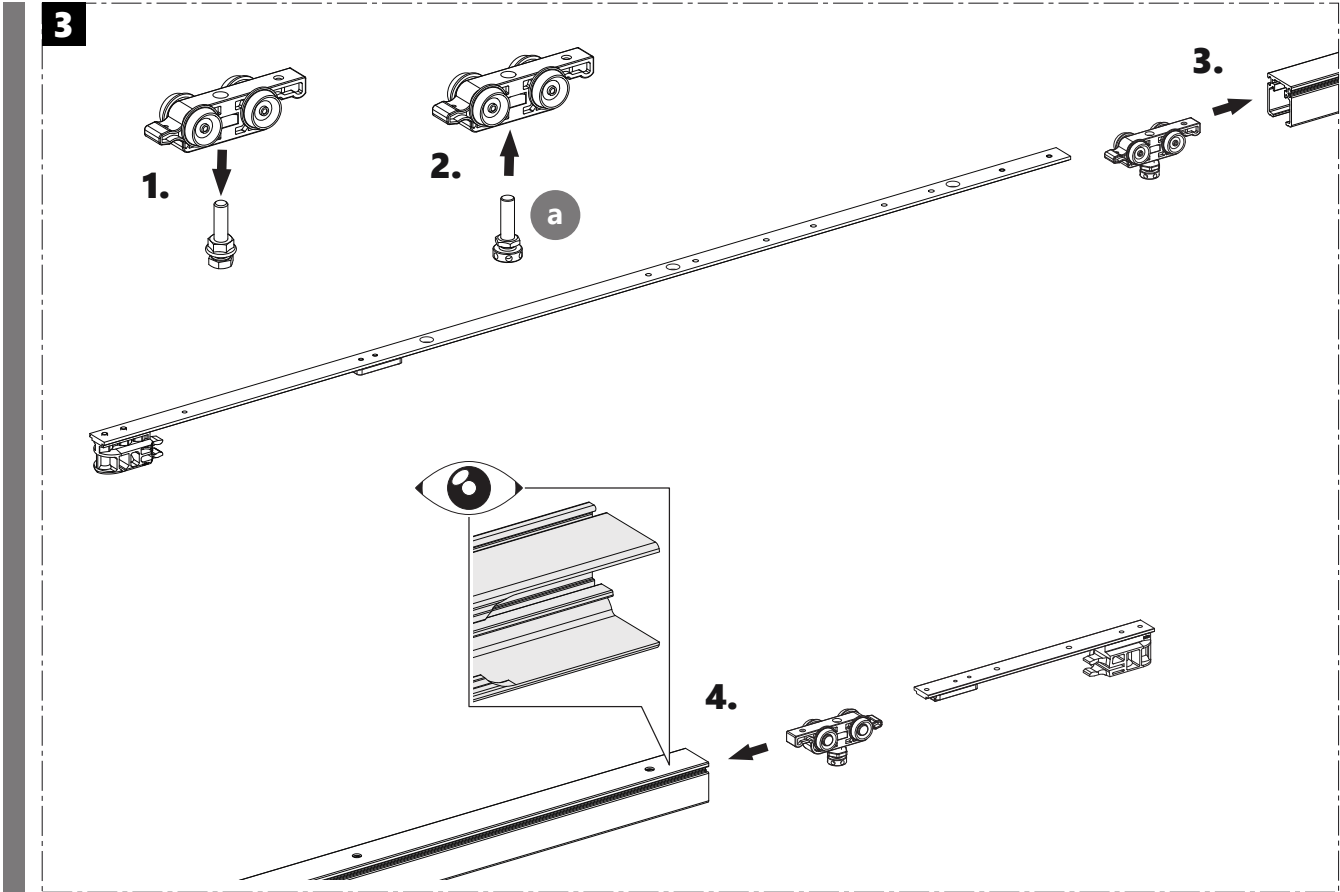
POCKET DOOR TRACK HARDWARE FOR GLASS DOORS

article number 0160224



DOOR HARDWARE
www.StainlessDoorHardware.com

855.247.1168



INSTALLATION INSTRUCTION - The "Frankfort"

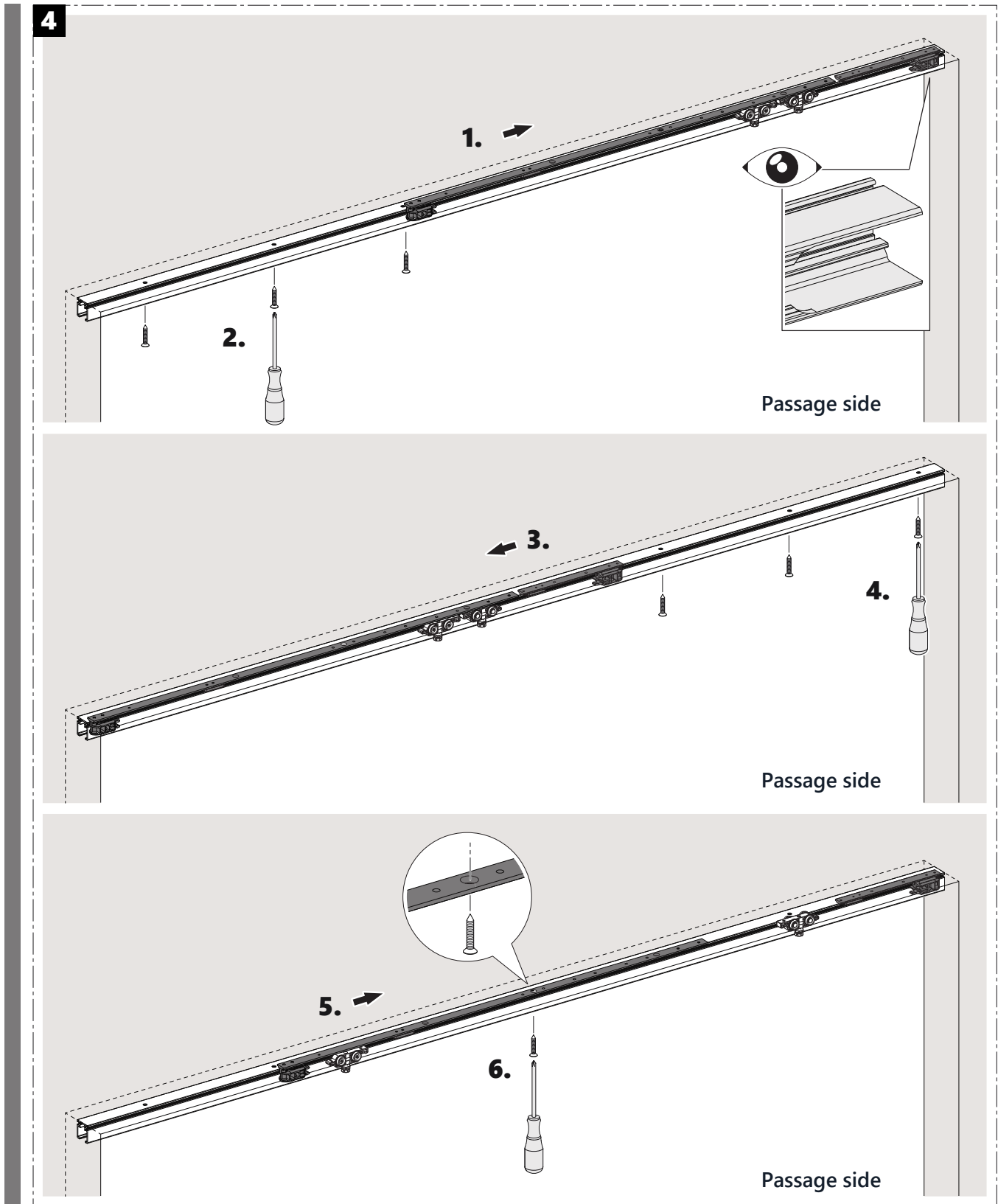
POCKET DOOR TRACK HARDWARE FOR GLASS DOORS

article number 0160224


STAINLESS

DOOR HARDWARE
www.StainlessDoorHardware.com

855.247.1168



INSTALLATION INSTRUCTION - The "Frankfort"

POCKET DOOR TRACK HARDWARE FOR GLASS DOORS

article number 0160224

5



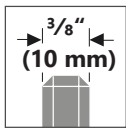
All components including the glass pane must be at room temperature!



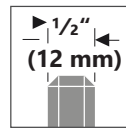
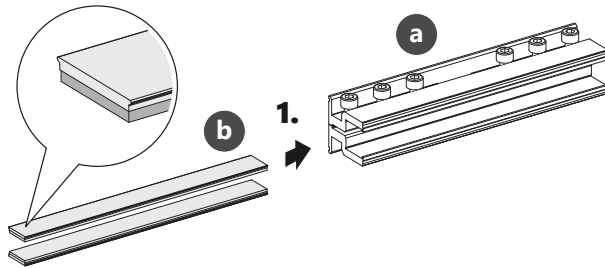
All surfaces must be free of dust and grease!



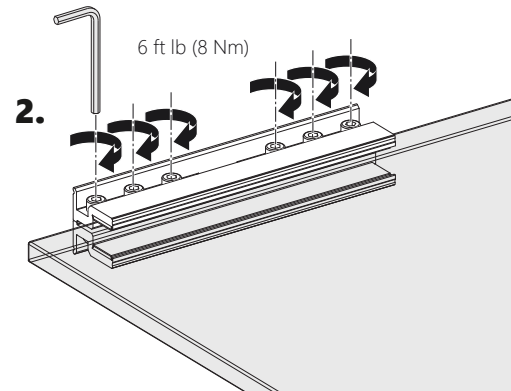
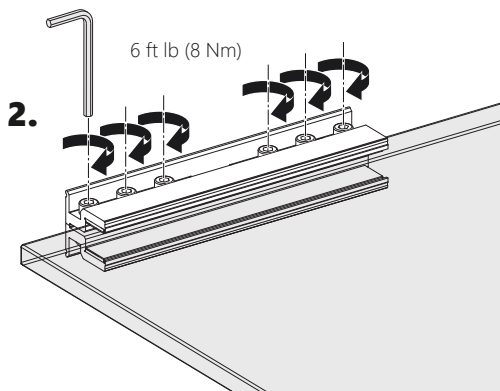
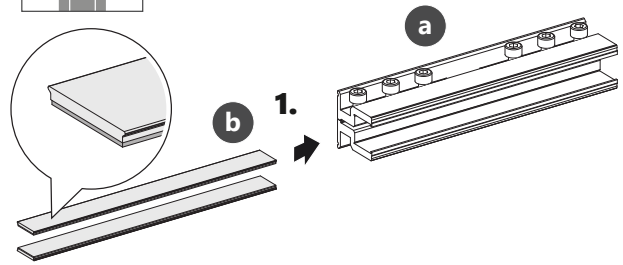
All surfaces must be dry!



Suitable for:
tempered glass
and laminated safety glass
(10 mm, 10,76 mm)



Suitable for:
tempered glass
and laminated safety glass
(12 mm, 12,76 mm)



INSTALLATION INSTRUCTION - The "Frankfort"

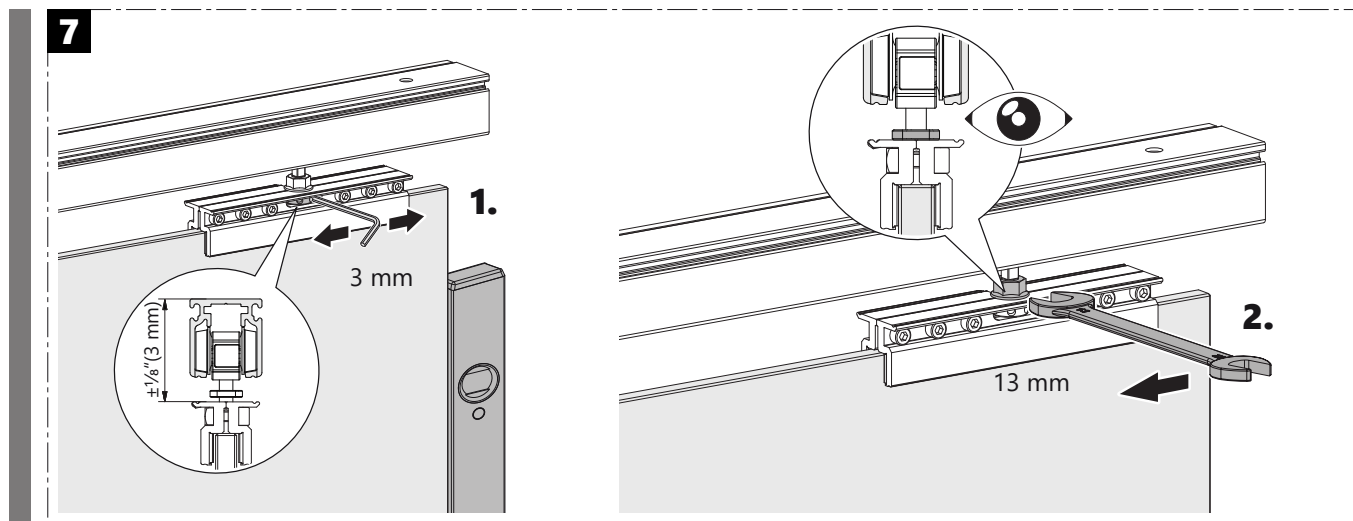
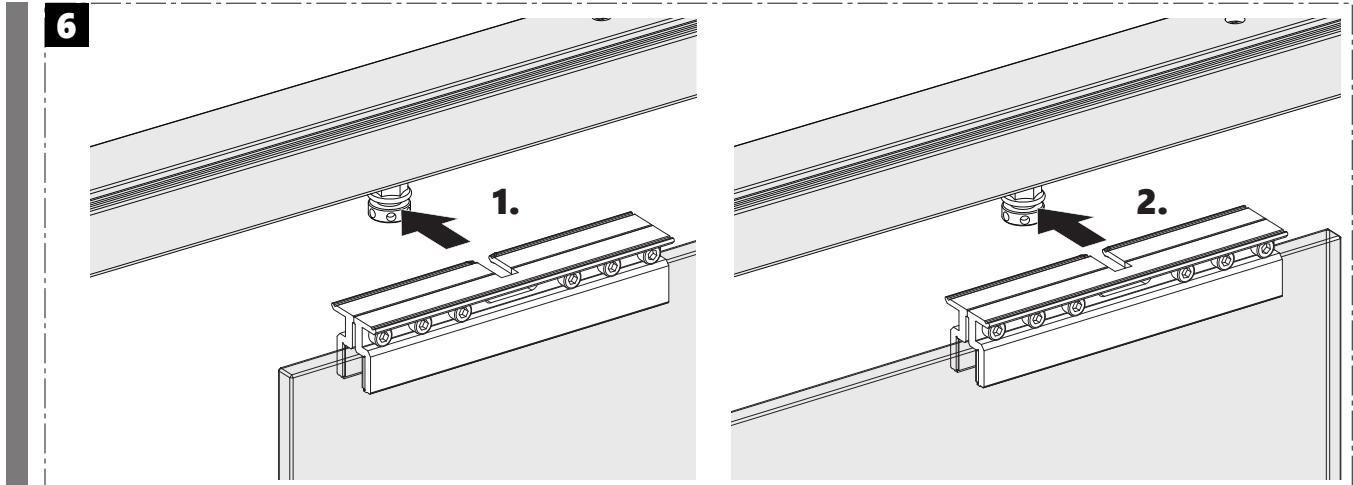
POCKET DOOR TRACK HARDWARE FOR GLASS DOORS

article number 0160224


STAINLESS

DOOR HARDWARE
www.StainlessDoorHardware.com

855.247.1168

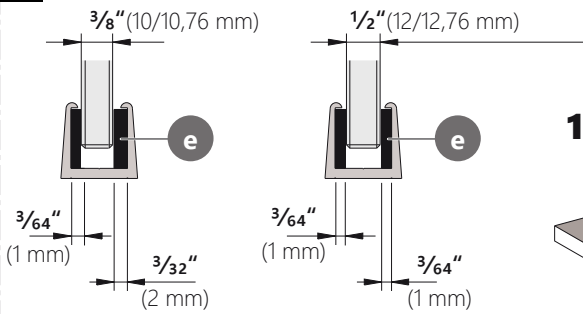


INSTALLATION INSTRUCTION - The "Frankfort"

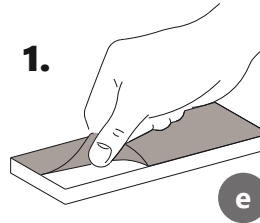
POCKET DOOR TRACK HARDWARE FOR GLASS DOORS

article number 0160224

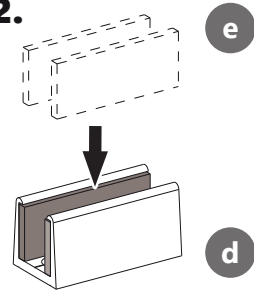
8



1.

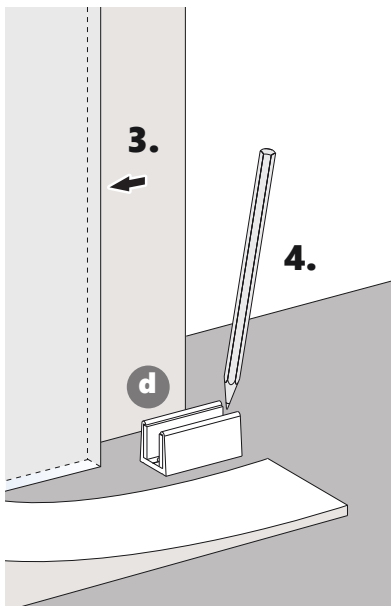


2.

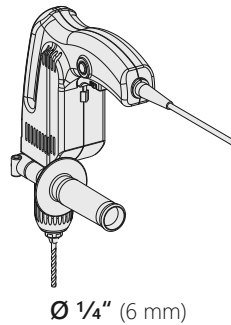


ATTENTION:

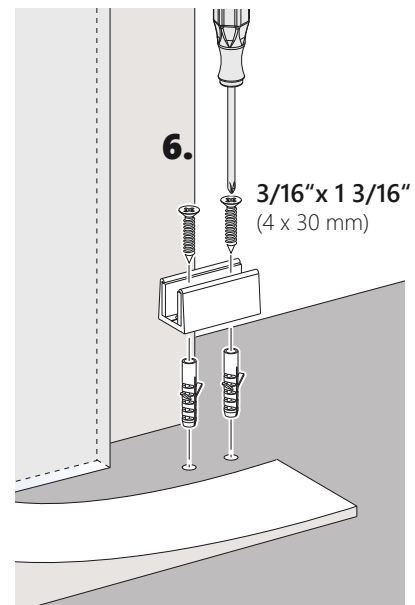
The fastening material must be provided by the customer and must be adapted to the local conditions!



5.



6.



INSTALLATION INSTRUCTION - The "Frankfort"

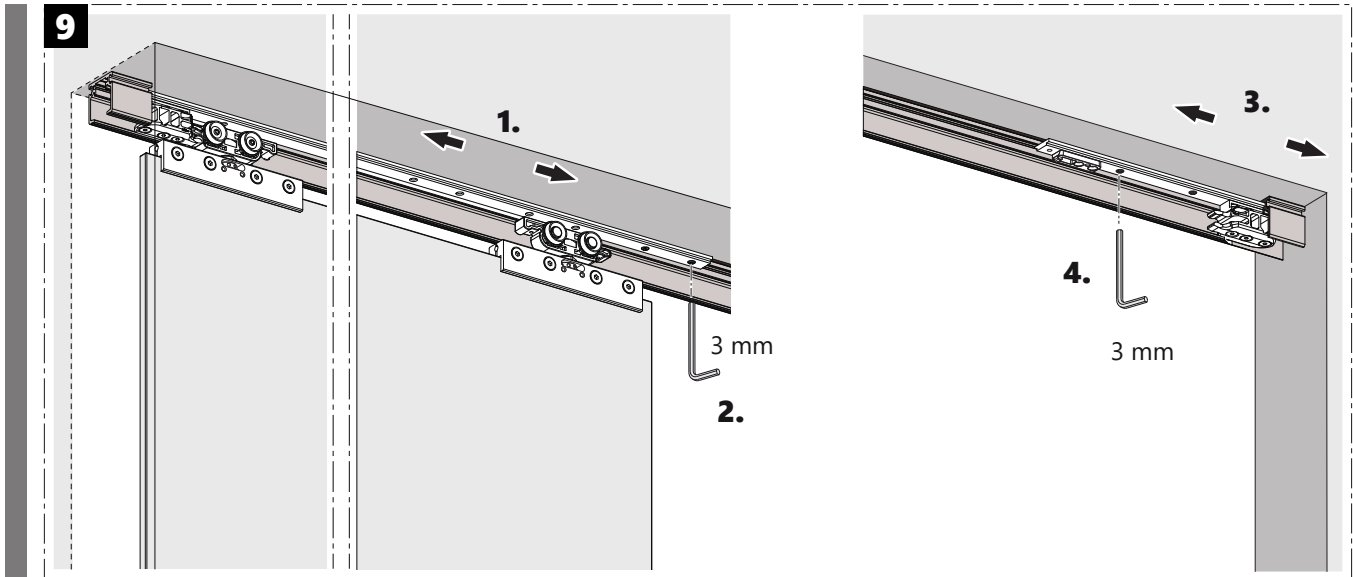
POCKET DOOR TRACK HARDWARE FOR GLASS DOORS

article number 0160224


STAINLESS

DOOR HARDWARE
www.StainlessDoorHardware.com

855.247.1168



Replacement of parts through the inspection opening

