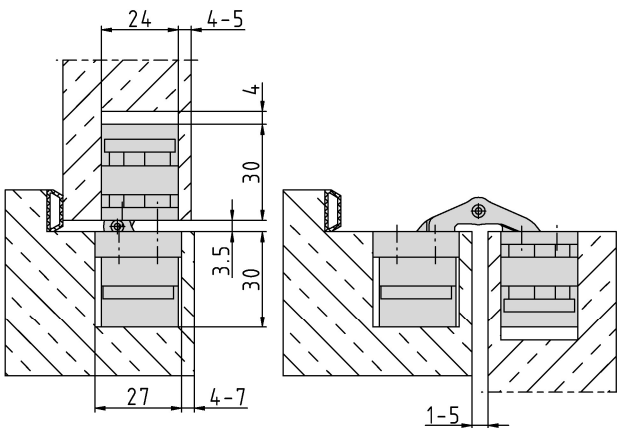


Additional Information

Standard load: Maximum door weight 100 kg (per pair)
 Application: Concealed hinge for non-rebated doors, hinge leaves are mortised into frame and door; 3-dimensional adjustability, maintenance-free bearings;
 Accessories: PIVOTA® DX safety plate for frame part, retainer for casing or steel frames
 Note: incl. fixing screws

Section Drawing



Certified according to



Item	Finish	PU
037938	satin nickel plated	2
039293	Alu Look F1	2
040612	simulated SS	2



STAINLESS

DOOR HARDWARE

Buy Online at
www.StainlessDoorHardware.com