

Montageanleitung für KARCHER DESIGN Schiebetür-Set EPDQ 2 0S
Installation Instructions for KARCHER DESIGN Pocket door lock Set EPDQ 2 0S
Notice de montage pour le set de poignées cuvettes pour KARCHER DESIGN EPDQ 2 0S
KARCHER DESIGN istruzioni di montaggio EPDQ 2 0S – set per porte scorrevoli

1. Türvorbereitung, Door preparation, Préparation de la porte, Preparazione porta

Vor dem Montieren des Schiebetür-Sets EPDQ 2 0S muss die Tür, wie in Zeichnung 1.1 angezeigt, gefräst werden.

Achtung: Die Zeichnungen sind nicht maßstabsgetreu und können nicht als Schablonen verwendet werden.

Before mounting the pocket door set EPDQ 2 0S, the door has to be milled according to the drawing, as shown below.

Attention: This product was designed by using metric units. To avoid any deviations, the milling machine has to be set to the metric system. The drawings below are not drawn to scale and may not be used as templates.

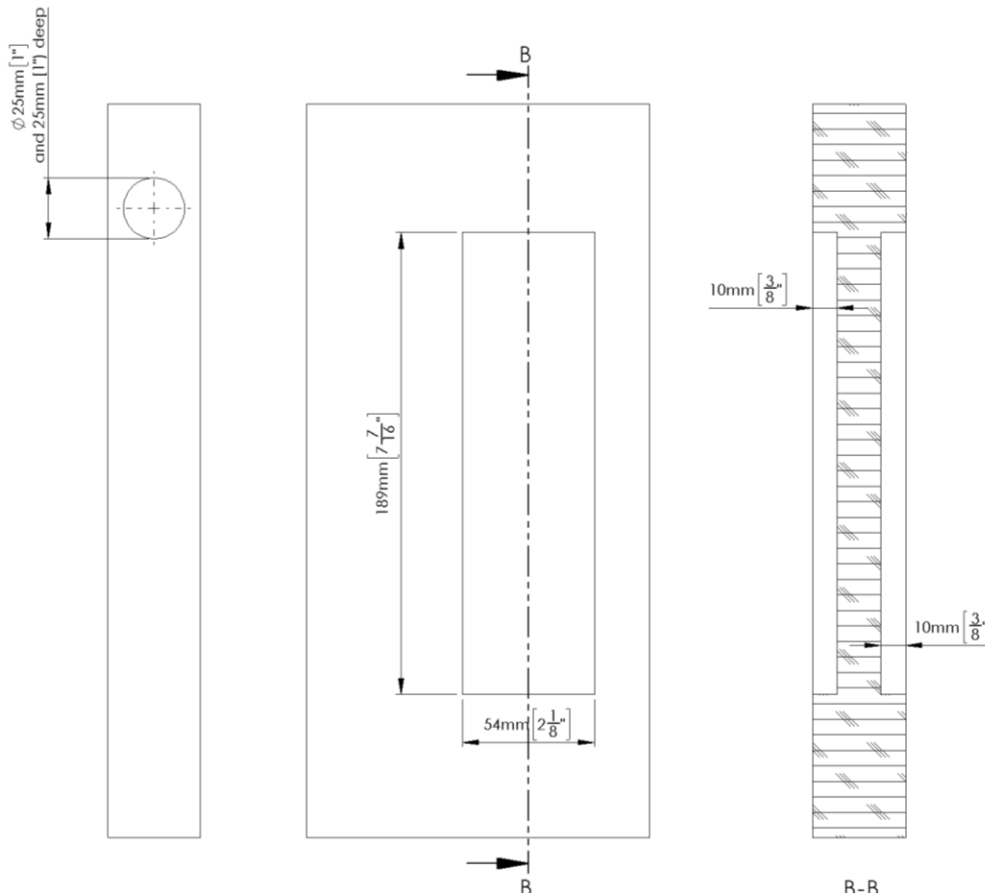
Avant le montage des poignées cuvettes EPDQ 2 0S la porte doit être fraisée suivant le plan 1.1.

Attention : Les plans ne sont pas à l'échelle et ne peuvent pas être utilisés comme gabarit.

Per poter eseguire correttamente il montaggio del set per porte scorrevoli EPDQ 2 0S è prima necessario fresare la porta come mostrato in immagine 1.1.

Attenzione: I disegni tecnici seguenti sono fuori scala, non è possibile perciò usarli come maschera di riferimento.

1.1 Fräsbild zur Montage des Schiebetür-Sets EPDQ 2 0S, milling picture for installing pocket door set EPDQ 2 0S, Schema de fraisage pour le mode l'EPDQ 2 0S, Fresatura – set per porte scorrevoli EPDQ 2 0S



Achtung: Die Zeichnungen sind nicht maßstabsgetreu und können nicht als Schablonen verwendet werden.

Attention: This product was designed by using metric units. To avoid any deviations, the milling machine has to be set to the metric system. The drawings below are not drawn to scale and may not be used as templates.

Attention : Les plans ne sont pas à l'échelle et ne peuvent pas être utilisés comme gabarit.

Attenzione: I disegni tecnici seguenti sono fuori scala, non è possibile perciò usarli come maschera di riferimento.

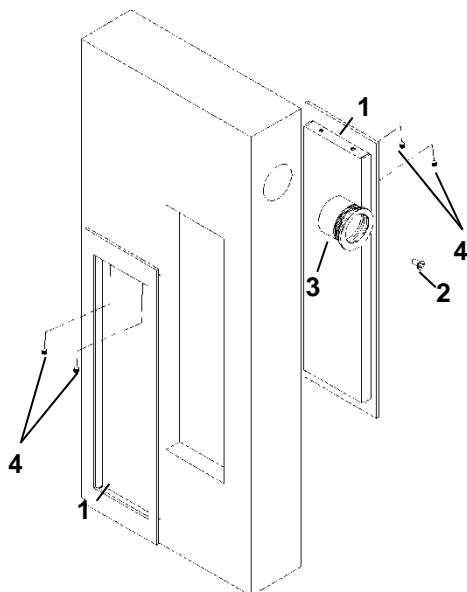


STAINLESS

DOOR HARDWARE

www.StainlessDoorHardware.com

855.247.1168



Inhalt, Content, Fournitures, Contenuto

1. Schiebetürmuscheln, Sliding plates,
Plaques coulissantes, Maniglia ad incasso
2. Holzschraube, Wood screw,
Vis à bois, Vite da legno
3. Fingermuschel, Finger pull,
Cuvette pour le doigt, Conchiglia
4. Madenschrauben, Set screws,
Visserie, Viti senza testa

1. Platzieren Sie die Schiebetürmuscheln (1) in der vorgesehenen Bohrung und fixieren Sie diese mit den gelieferten Madenschrauben (4).
2. Setzen Sie die Fingermuschel (3) in die vorgesehene runde Bohrung und befestigen Sie diese mit der gelieferten Holzschraube (2).

1. Push the slidings plates (1) in the door cut out designed for this purpose and fix the plate by using the set screws (4) provided.
2. Insert the finger pull into the circular hole and fix it with the wood screw (2).

1. Insérez les plaques coulissantes (1) dans l'emplacement fraisé à cet effet et fixez-les avec les vis fournies (4).
2. Insérez la cuvette pour le doigt dans le trou rond et fixez-la avec la vis à bois. (2)

1. Collocare la maniglia ad incasso (1) nell'incavo apposito e fissandola con le viti senza testa (4).
2. Collocare la conchiglia (3) nell'incavo tondo apposito e fissandola con le viti da legno in dotazione (2).

Limited Warranty (for United States and Canada only)

Karcher Design warrants to the original purchaser and first consumer owner that its products shall be free from defects in material or workmanship for 2 years after purchase.

Subject to the conditions stated below, Karcher Design shall repair or replace (at our sole discretion) any defective product at no further charge.

This warranty is valid only for the original purchaser and first consumer owner and is not transferable.

This warranty *only* applies to products purchased directly from an authorized dealer of Karcher Design products. Our [website](#) contains a list of authorized dealers. You may be asked for proof of purchase, so please retain your receipt.

To obtain warranty service, please contact an authorized reseller dealer directly. Do not contact Karcher Design directly with warranty questions.

This warranty does not apply to ordinary wear and tear or to damage caused by conditions beyond Karcher Design's control, including but not limited to accidents, lack of reasonable care, weather conditions, improper installation or maintenance, alteration, or abuse. **In particular, this warranty does not apply to products that are not intended to be used outdoors (including products made out of wood, leather, carbon, glass, laminate, and satin nickel) that are in fact used outdoors.**

THE REMEDIES DESCRIBED ABOVE ARE YOUR SOLE AND EXCLUSIVE REMEDIES, AND CONSTITUTE KARCHER DESIGN'S ENTIRE LIABILITY FOR ANY BREACH OF THIS LIMITED WARRANTY. KARCHER DESIGN EXCLUDES AND EXPRESSLY DISCLAIMS LIABILITY FOR ANY CONSEQUENTIAL, INDIRECT, INCIDENTAL OR SPECIAL DAMAGES OF ANY NATURE ARISING OUT OF THE SALE, INSTALLATION, MAINTENANCE, USE OR FAILURE OF ANY KARCHER DESIGN PRODUCT, INCLUDING BUT NOT LIMITED TO LOSS OF PROFITS, PROPERTY DAMAGE, DAMAGES TO BUSINESS OR BUSINESS RELATIONS OR DAMAGES FOR LOSS OF OPERATION. IN ALL EVENTS KARCHER DESIGN'S LIABILITY WILL BE CAPPED AT THE PURCHASE PRICE PAID FOR THE PRODUCT.

Some states do not allow limitations on how long an implied warranty lasts, so the above limitation may not apply to you. Some states do not allow the exclusion or limitation of incidental or consequential damages, so the above limitation or exclusion may not apply to you. This warranty gives you specific legal rights, and you may also have other rights which vary from state to state.

No representative or employee of Karcher Design is authorized to make any modification or addition to this warranty.

Karcher Design NA, LLC
1024 Industry Dr.
Tukwila WA 98188
Office: 559-475-8274
Fax: 253-236-4469



STAINLESS

DOOR HARDWARE
www.StainlessDoorHardware.com

855.247.1168